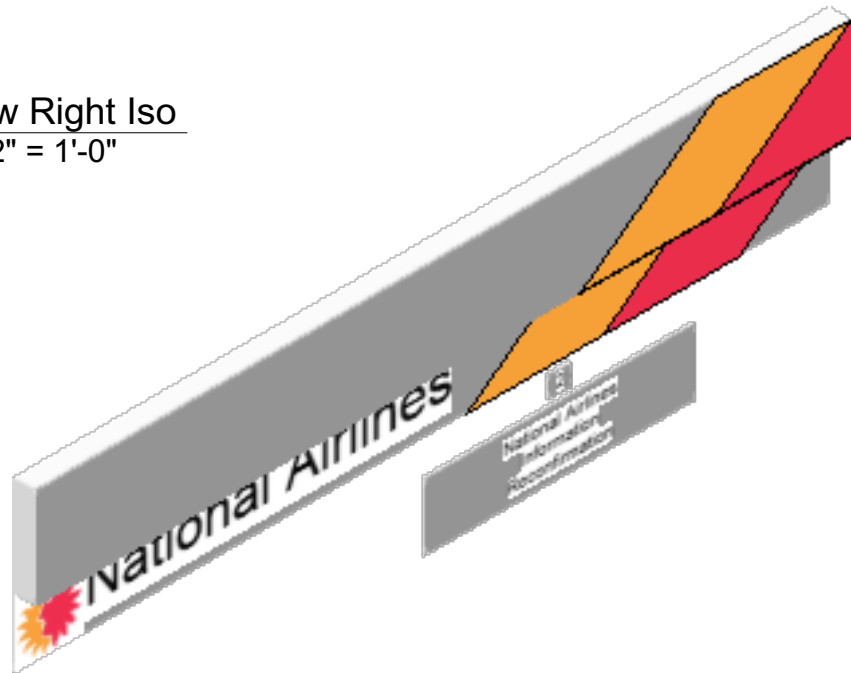


1 Overview Right Iso
Scale: 1/2" = 1'-0"

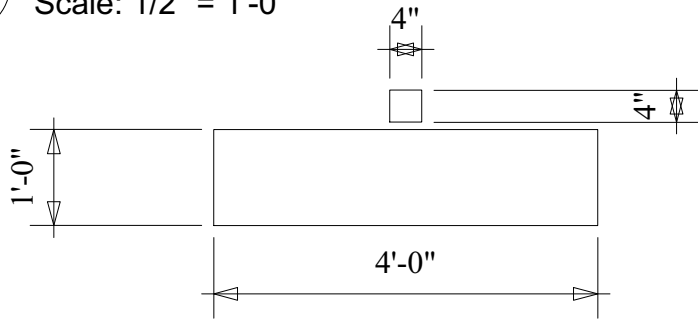


2 Overview Front
Scale: 1/2" = 1'-0"

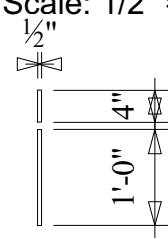


Show Name Catch Me If YouCan		
Scale 1/2"=1'	Drawn By Scott Bedell	Date 2/28/2019
Scene: Airlines Signs - 1	Object Overview	Page Number 1

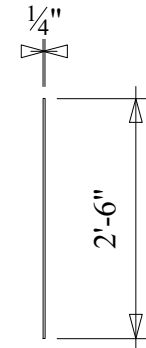
3 Front - Small Pieces
Scale: 1/2" = 1'-0"



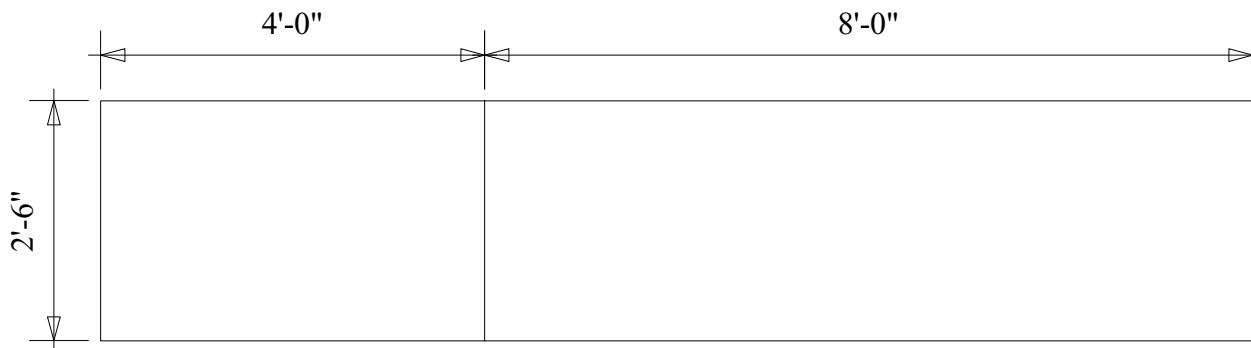
4 Side - Small Pieces
Scale: 1/2" = 1'-0"



6 Side - Back Pieces
Scale: 1/2" = 1'-0"



5 Front - Back Pieces
Scale: 1/2" = 1'-0"



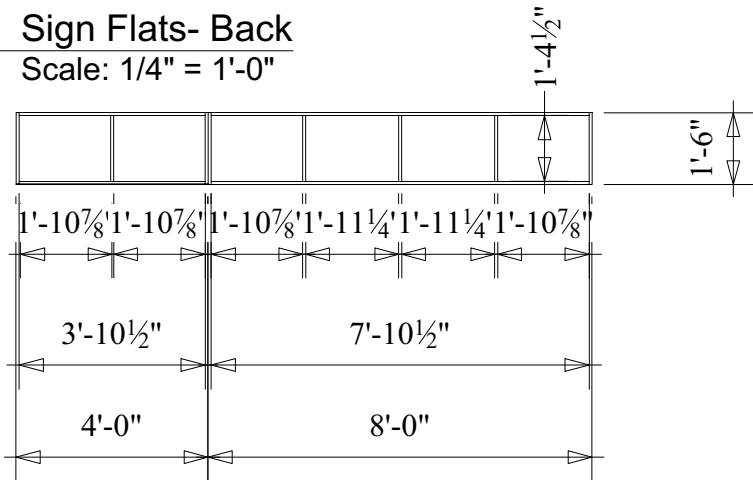
General Notes

Cut List. 1/2" Plywood (or 3/4" Plywood if no half is available):
(1) 0'-4"x0'-4"
(1) 1'-0"x4'-0"

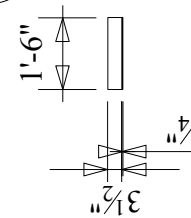
Luan:
(1)2'-6"x4'-0"
(1)2'-6"x8'-0"
Instructions. -Cut Lumber
-Predrill and counterbore back luan pieces to the flats after construction every 0'-8" across top and down 1'-6" of the sides. Back Pieces do not attach until the entire object is in the air.
-Top anchor hangers will be attached to Small Pieces with wire rope when hanging.

Show Name Catch Me If YouCan		
Scale 1/2"=1'	Drawn By Scott Bedell	Date 2/28/2019
Scene: Airlines Signs - 2	Object Small Signs	Page Number 2

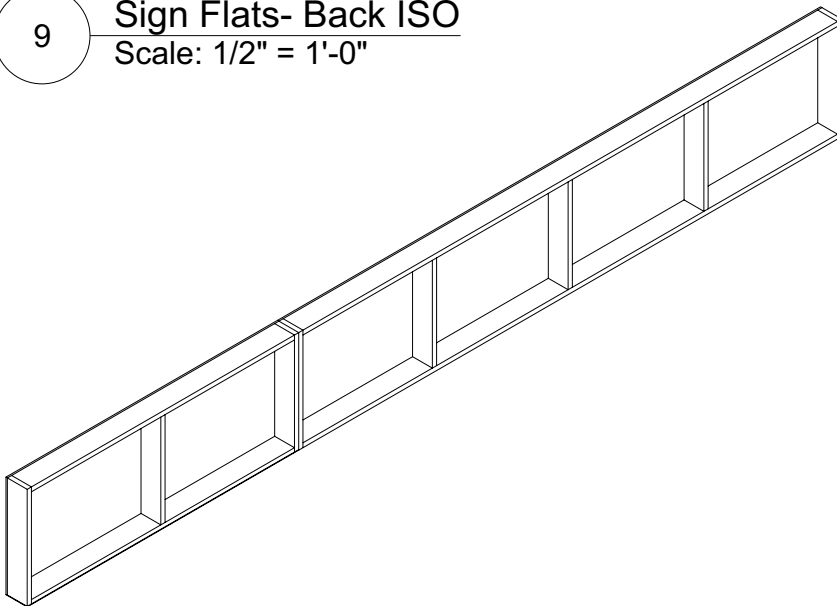
7 Sign Flats- Back
Scale: 1/4" = 1'-0"



8 Sign Flats - Side
Scale: 1/4" = 1'-0"



9 Sign Flats- Back ISO
Scale: 1/2" = 1'-0"



General Notes

Cut List. Luan:
(1)1'-6"x4'-0"
(1)1'-6"x8'-0"

1x4:
(4)1'-6"
(4)1'-4-1/2"
(2)7'-10-1/2"
(2)3'-10-1/2"

Instructions.
-Cut Lumber
-Glue and staple with 1-1/4" staples framing.
-Glue and staple with 1" staples facing.
-Bolt two flats together with (3-4) 3/8" bolts (Bolt, Fender Washer, WOOD, Fender Washer, Lock Washer, Nut)
-Attach Back Pieces with screw (make sure to over lap the flat seam with the larger piece of facing. Then remove.
-Rig for flight.

Show Name Catch Me If YouCan		
Scale 1/4"=1'	Drawn By Scott Bedell	Date 2/28/2019
Scene: Airlines Signs - 3	Object Sign Flats	Page Number 3