



1 Overview  
Scale: 1/2" = 1'-0"

**General Notes**

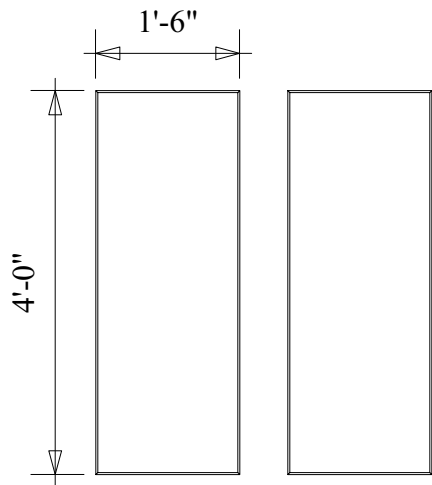
- Instructions.
- Build or Pull (3)4'x8' Standard Hollywood Flats
  - Build (2) 1'-6"x4'-0" Picture Units
  - Bolt and Assemble
  - Screw Picture Unit to Toggles
  - Build night stands and attach hinges to toggles. New toggle may be needed.

Show Name Catch Me If YouCan		
Scale 1/2"=1'	Drawn By Scott Bedell	Date 3/12/2019
Scene: Hotel Room - 1	Object Overview	Page Number 1

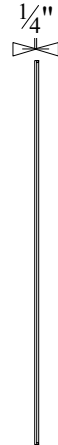
1 Top  
Scale: 1/2" = 1'-0"



2 Front  
Scale: 1/2" = 1'-0"



3 Side  
Scale: 1/2" = 1'-0"



**General Notes**

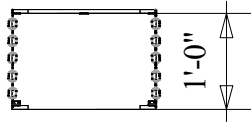
- Instructions.
- Cut (2) 1'-6"x4'-0" Piece of Luan
  - Cut desired molding with 45deg cuts to frame out image.
  - Attach molding from the rear with staples 1/8" shorter than the molding and glue.
  - Paint desired picture
  - Attach to toggles of flats with screws.
  - Touch up painting.



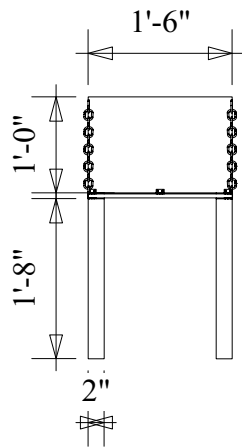
4 Iso  
Scale: 1/2" = 1'-0"

Show Name Catch Me If YouCan		
Scale 1/2"=1'	Drawn By Scott Bedell	Date 3/12/2019
Scene: Hotel Room - 2	Object Picture Frame	Page Number 2

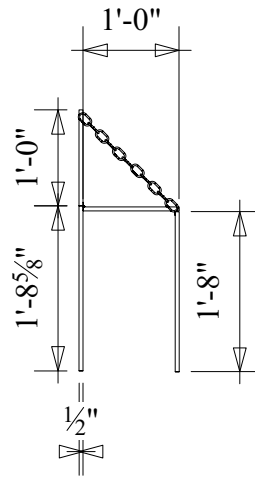
1 Top  
Scale: 1/2" = 1'-0"



2 Front  
Scale: 1/2" = 1'-0"



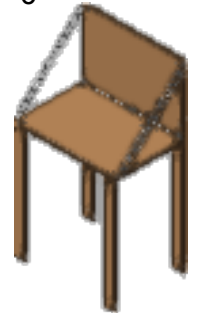
3 Side  
Scale: 1/2" = 1'-0"



**General Notes**

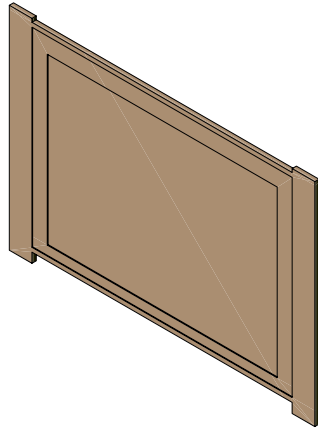
- Cut List. 1/2" Plywood:  
 (4) 1'-0"x1'-6"  
 (4) 0'-2"x1'-8-5/8"  
 (4) 0'-2"x1'-8-5/8"
- Instructions.  
 -Cut List Builds (2) End Tables  
 -Cut Lumber  
 -Bolt Hinges As Shown  
 -Add Chain on Sides  
 -Add Spin Hasp to Keep Closed  
 -Screw back legs and back 1'-0"x1'-6" piece to Toggles/Rails or Add Backing Boards on Flats

4 Iso  
Scale: 1/2" = 1'-0"

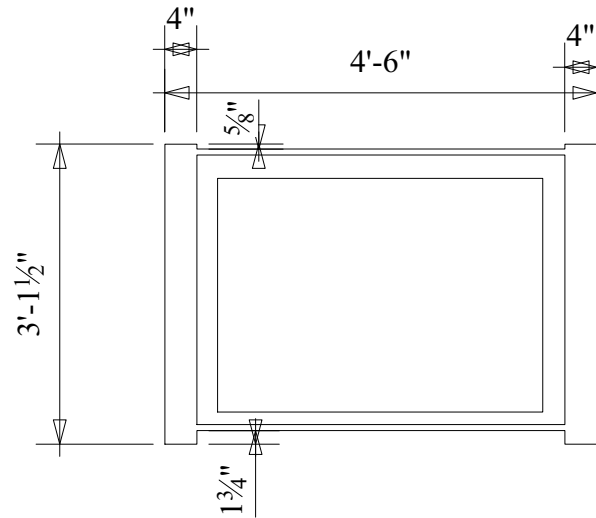


Show Name Catch Me If YouCan		
Scale 1/2"=1'	Drawn By Scott Bedell	Date 3/12/2019
Scene: Hotel Room - 3	Object End Tables	Page Number 3

1 Overview  
Scale: 1/2" = 1'-0"



2 Front  
Scale: 1/2" = 1'-0"



General Notes

Instructions. -Buy bedframe or plan bedframe construction prior to building  
-Cut 1/2" Plywood to 3'-1-1/2"x4'-6" and then make additional noted cuts

Show Name Catch Me If YouCan		
Scale 1/2"=1'	Drawn By Scott Bedell	Date 3/12/2019
Scene: Hotel Room - 4	Object Headboard	Page Number 4