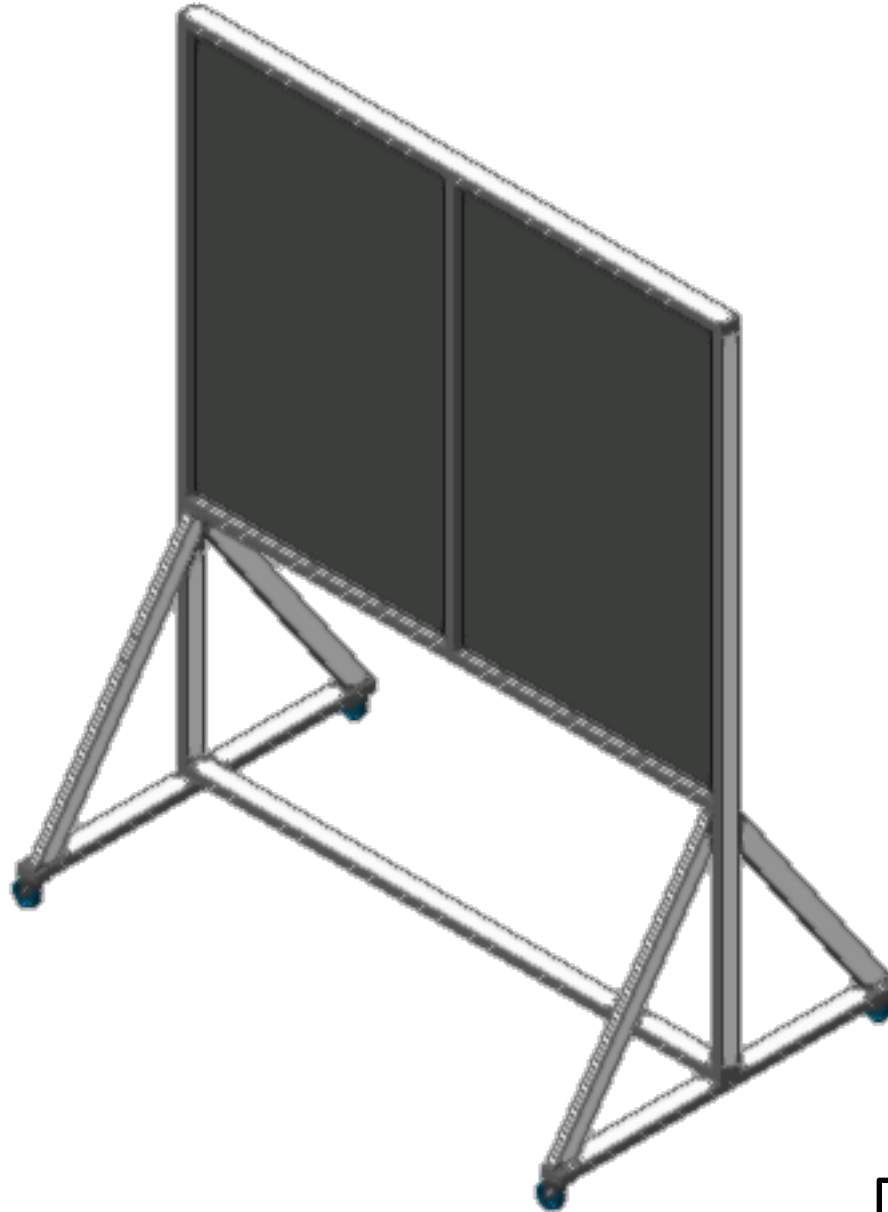


General Notes

- Assembly Overview.-Build Like a Platform
-Cut Lumber
-Dado Cut where Noted
-Pre-Drill & Assemble with (3) 3"
Screws per Joint
-Slide in Luan Sheets prior to
attaching top 2x4-8'
-Attach Caster Plates and Casters



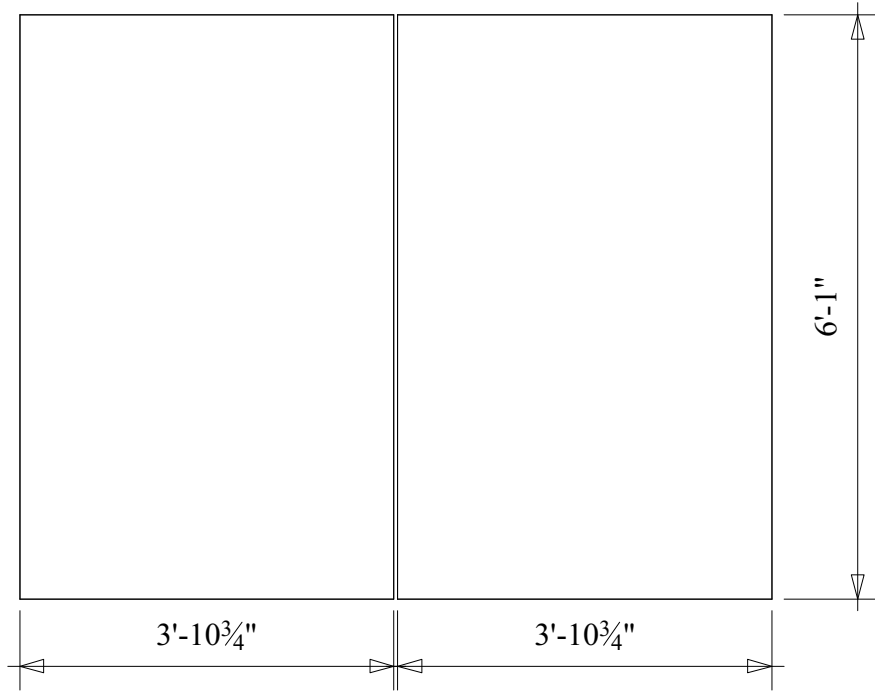
1

Overview

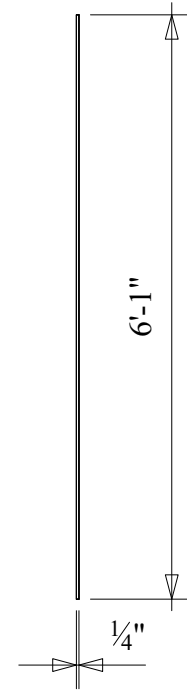
Scale: 1/2" = 1'-0"

Show Name Catch Me If YouCan		
Scale 1/2"=1'	Drawn By Scott Bedell	Date 3/11/2019
Scene: Chalk Board	Object Overview	Page Number 1

1 **Front**
Scale: 1/2" = 1'-0"



2 **Side**
Scale: 1/2" = 1'-0"



General Notes

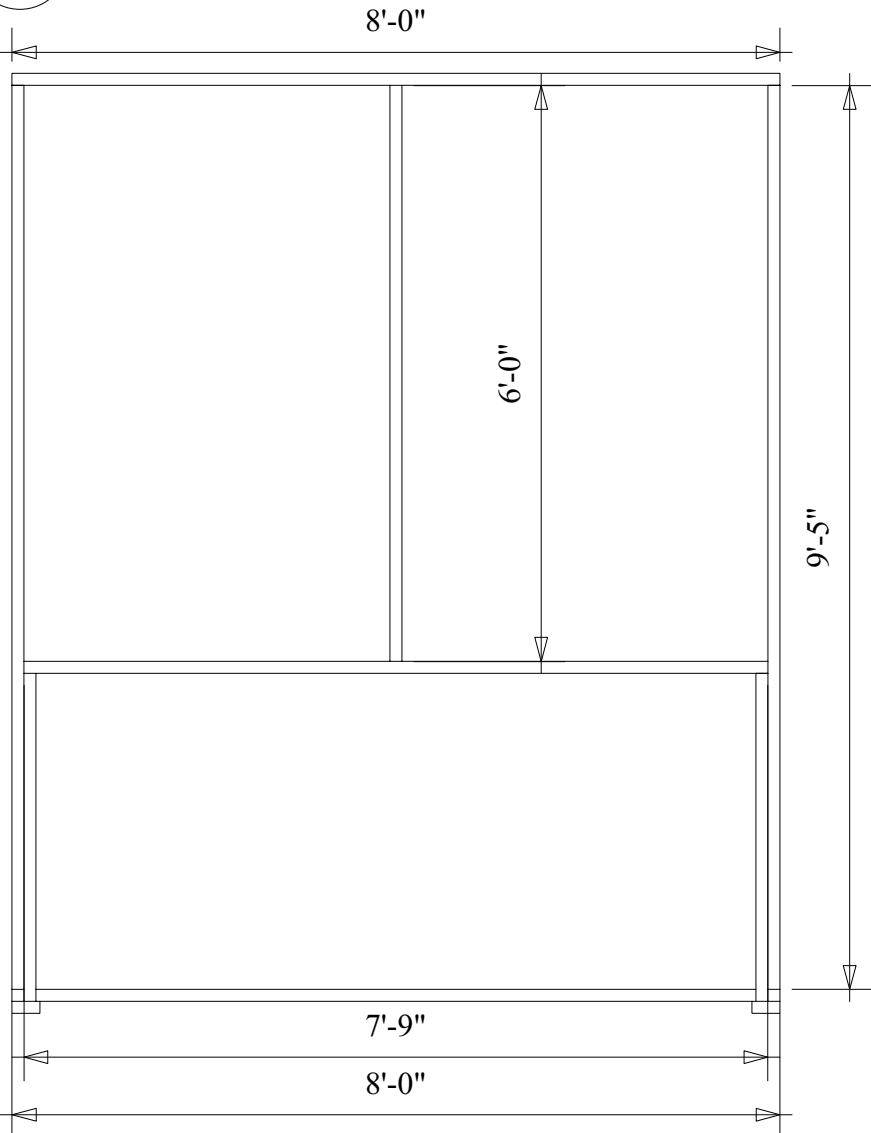
Cut List. Luan:
(2) 3'-10-3/4"x6'-1"

Show Name Catch Me If YouCan		
Scale 1/2"=1'	Drawn By Scott Bedell	Date 3/11/2019
Scene: Chalk Board-2	Object Inserts	Page Number 2

1

Front

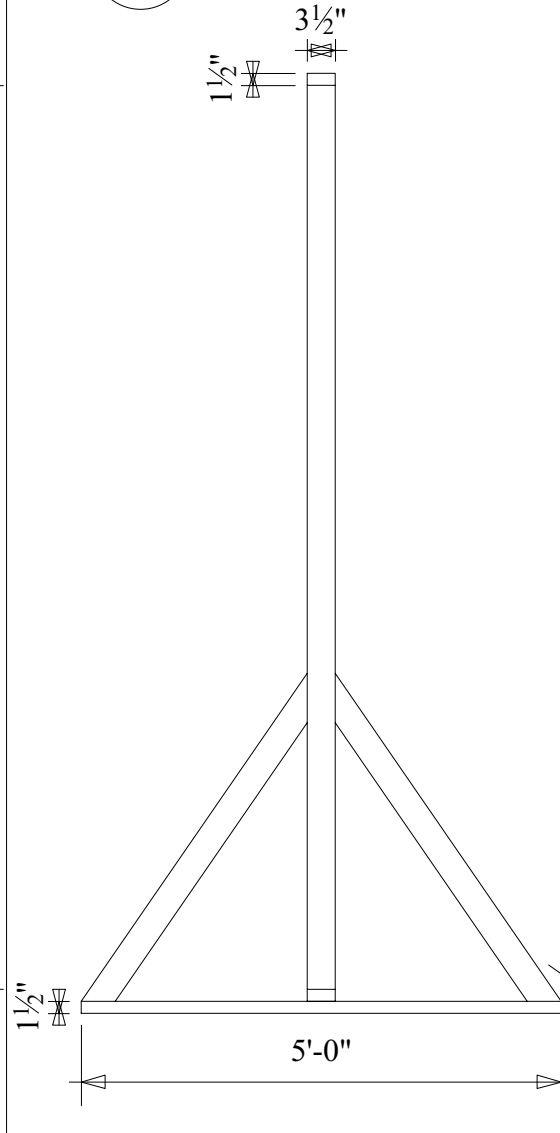
Scale: 1/2" = 1'-0"



2

Side

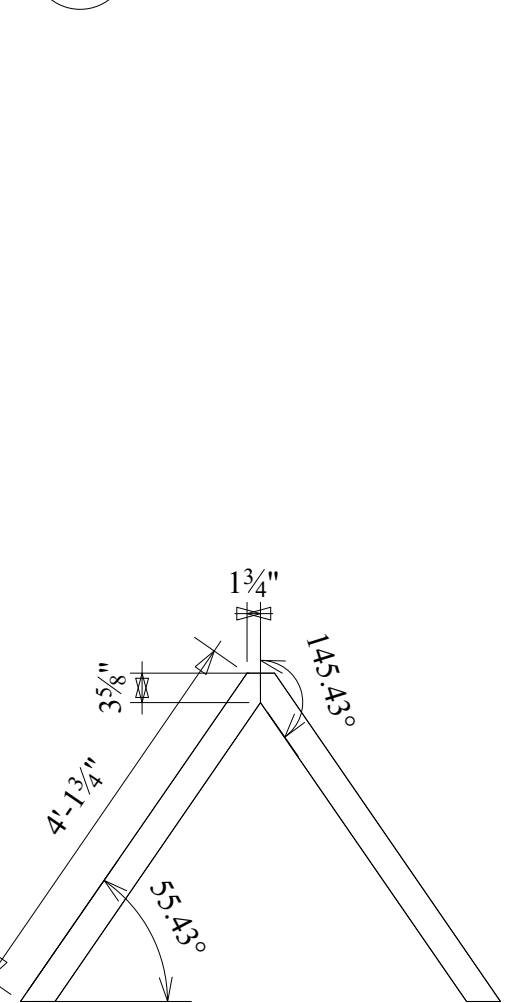
Scale: 1/2" = 1'-0"



3

Angled Pieces

Scale: 1/2" = 1'-0"



General Notes

- Cut List. 2x4:
- (2) 9'-5" **(2) get a 1/4" wide x 1/2" deep dato down center for 6'-2" length**
 - (2) 8'-0" **(1) gets a 1/4" wide x 1/2" deep dato down center**
 - (1) 7'-9" **gets a 1/4" wide x 1/2" deep dato down center**
 - (1) 6'-0" **gets a 1/4" wide x 1/2" deep dato down center on both sides**
 - (2) 5'-0"
 - (4) 4'-6" Rough Cut **See Angled Pieces for final cuts**

Show Name Catch Me If YouCan		
Scale 1/2"=1'	Drawn By Scott Bedell	Date 3/11/2019
Scene: Chalk Board-3	Object Framing	Page Number 3