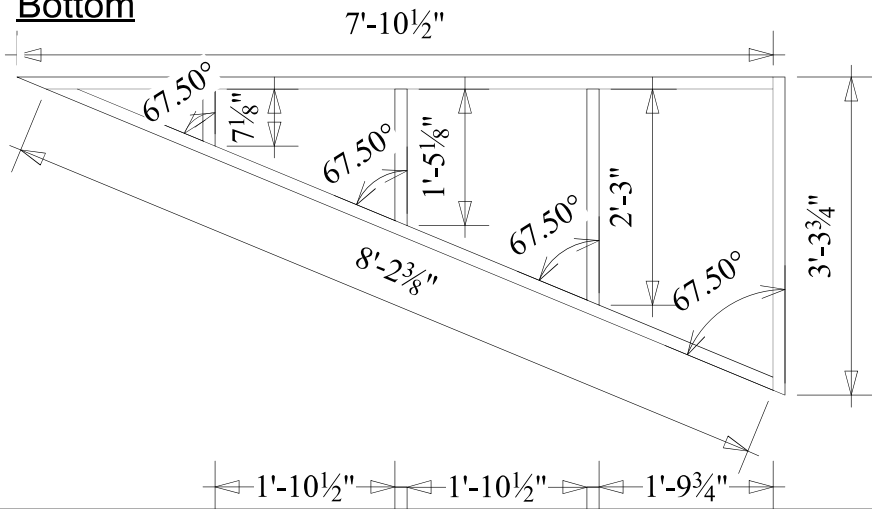
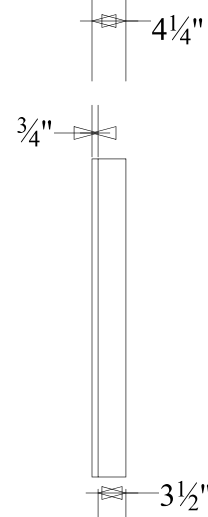


Bottom

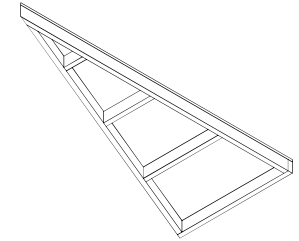


Right

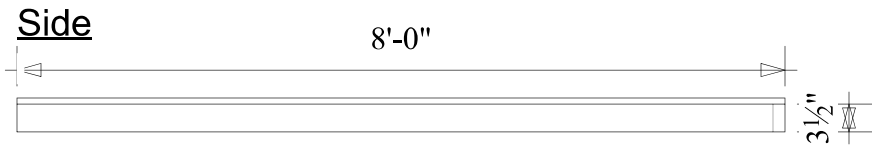


Lower Right Iso

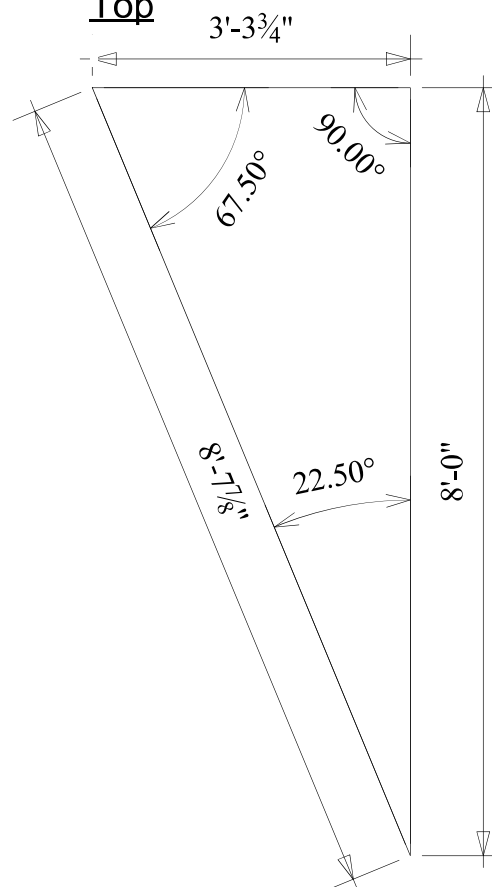
1/4"=1' Scale



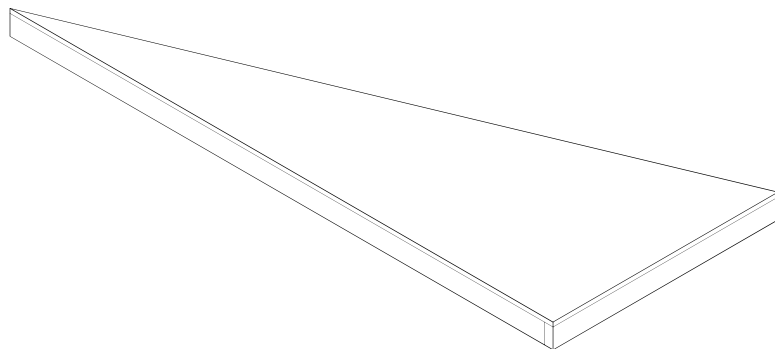
Side



Top



Back Right Iso



General Notes

Build.: Build (2) Custom Platforms with Lids on Opposite Sides

Cut List.
 3/4" Plywood:
 -Cut 4x8 Sheet with Angles
 2x4 Lumber:
 -Cut all boards as shown with either 22.5deg angles or 67.5deg angles. Use the Plywood for reference and make straight cuts with marked angles.

Instructions.
 -Cut Lumber
 -Screw cut 2x4 boards with (3) 3" screws at each intersection.
 -Screw 3/4" Plywood with 1-5/8" screws every 6" and hitting each corner/toggle.
 -Drill (3)3/8" Holes equally spaced across connecting sides at 1-3/8" down from lid.

Show Name Catch Me If YouCan		
Scale 1/2"=1'	Drawn By Scott Bedell	Date 3/4/2019
Scene: Large Custom Platform	Object Drawing	Page Number 1