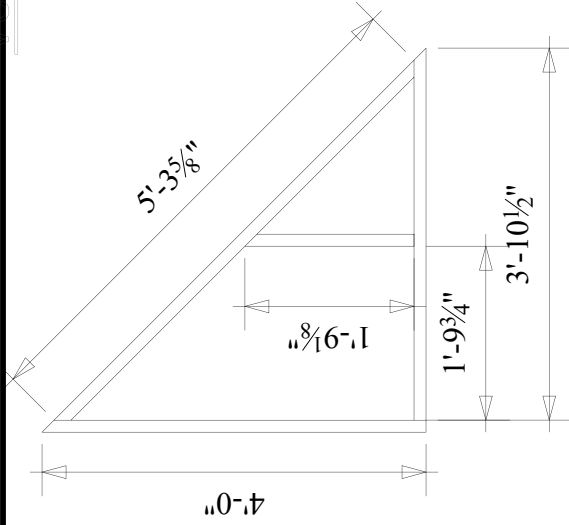
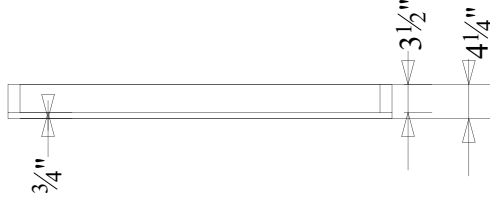


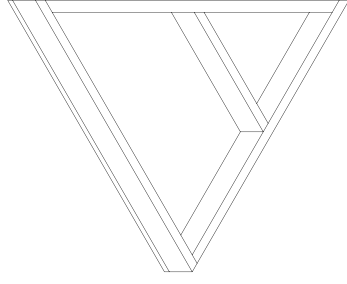
Bottom



Right



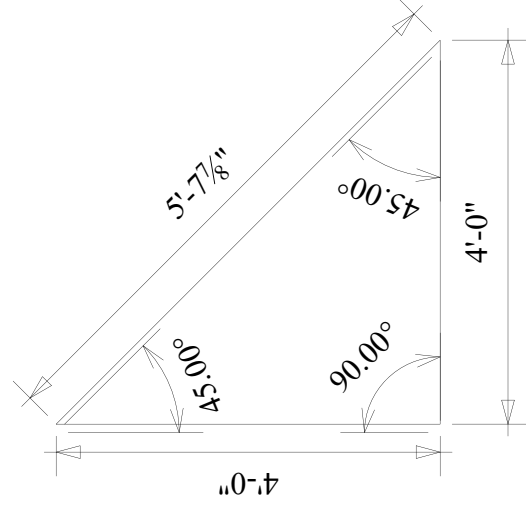
Lower Right Iso



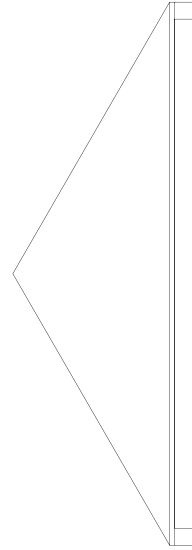
Angled Side



Top



Back Right Iso



General Notes

Build. Build (4) 4x4 Triangle Platforms with Lids on Opposite Sides

Cut List.

- 2x4 Lumber:
- (1) 4'-0" with 45deg
- (1) 3'-9-1/2" with 45deg
- (1) 1'-9-1/8" with 45deg
- (1) 5'-3-5/8" with two 45deg

3/4" Plywood:

- 4'-0"x4'-0" with 45deg cross cut
- Cut Lumber
- Screw cut 2x4 boards with (3) 3" screws at each intersection.
- Screw 3/4" Plywood with 1-5/8" screws every 6" and hitting each corner/foggle.
- Drill (3)3/8" Holes equally spaced across connecting sides at 1-3/8" down from lid.

Instructions.

Show Name

Catch Me If YouCan

Scale

1/2"=1'

Drawn By

Scott Bedell

Date

3/5/2019

Scene:

Standard 4x4 Triangle

Object

Platform

Page Number

1