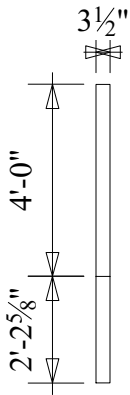
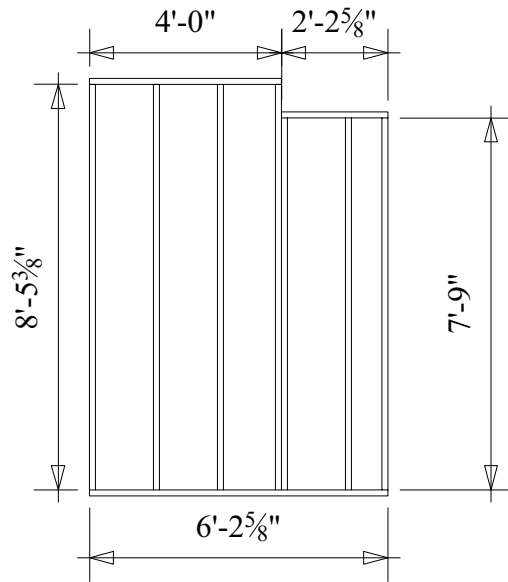


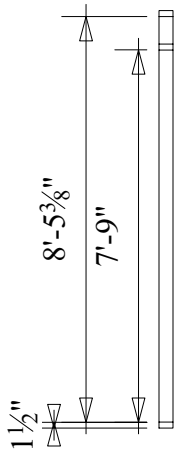
1 Top



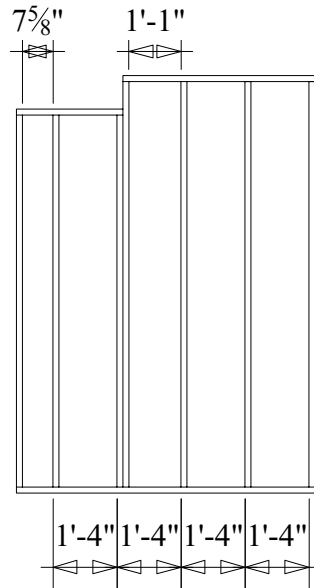
2 Left



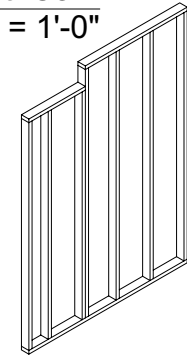
3 Front



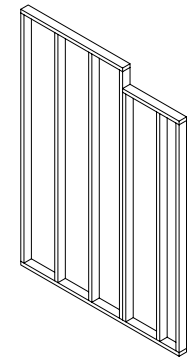
4 Right



5 Right Iso
3/16" = 1'-0"



6 Left Iso
3/16" = 1'-0"



General Notes

Build.: (1) For Support Wall/Wagon Level
Cut List. 2x4 Lumber: **Adjust for Nominal Thickness Differences**

- (1) 6'-2-5/8"
- (1) 4'-0"
- (1) 2'-2-5/8"
- (3) 7'-9"
- (4) 8'-5-3/8"

Instructions. -Cut Lumber
-Screw cut 2x boards with (6) 3" screws at each intersection.

Show Name Noises Off 2019		
Reference 1/4"=1'	Drawn By Scott Bedell	Date 09/04/19
CAD File Name Support Wall E		